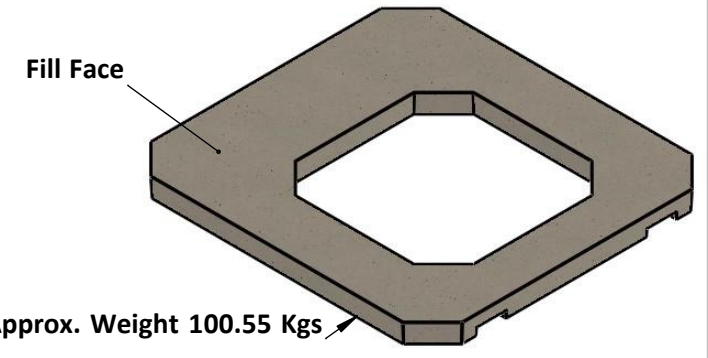


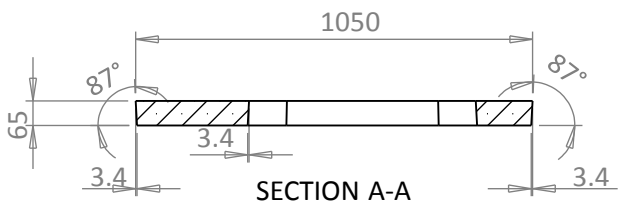
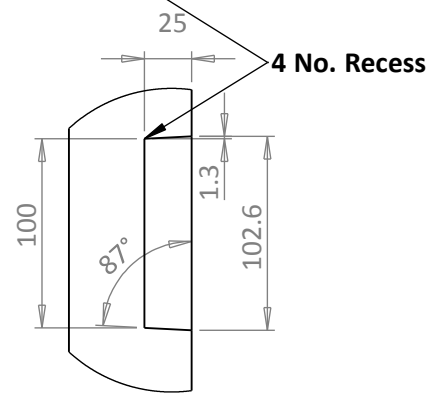
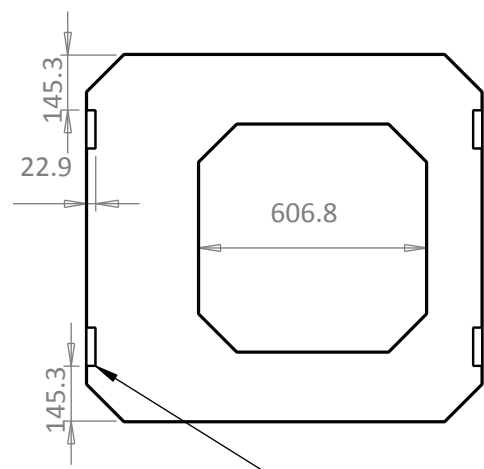
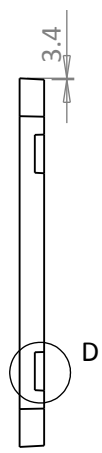
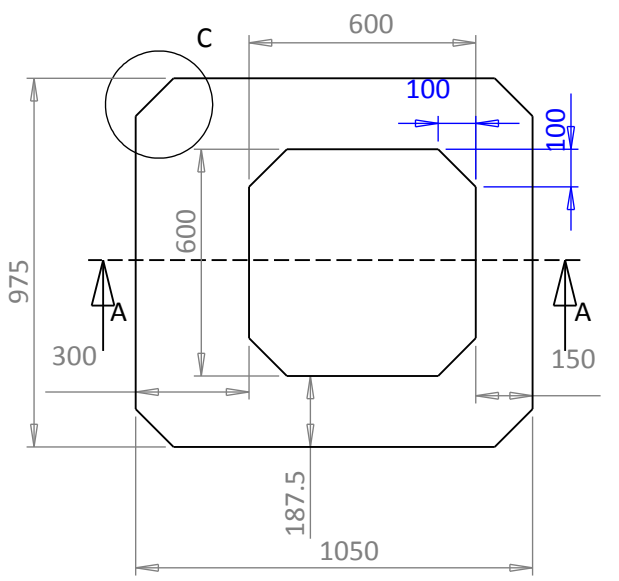
Chamfer Needs Approved

Inner Recess: 600mm x 600mm



Approx. Weight 100.55 Kgs

Approx. 12 per Pallet



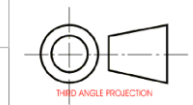
DETAIL D

Job NO - Description.
Croom - Eccentric Cover 600mm x 600mm Riser

Revision
A

Customer
Keyline

Projection



Unless otherwise specified
dimensions are in mm
& tolerances are:

<1000	±1.0
1000 - 2000	±2.0
2000 - 3000	±3.0
>3000	±5.0

Drawn By duane.higgins

Date 31 October 2017

Revised By duane.higgins

Date 31 October 2017

Material
Concrete

Finish

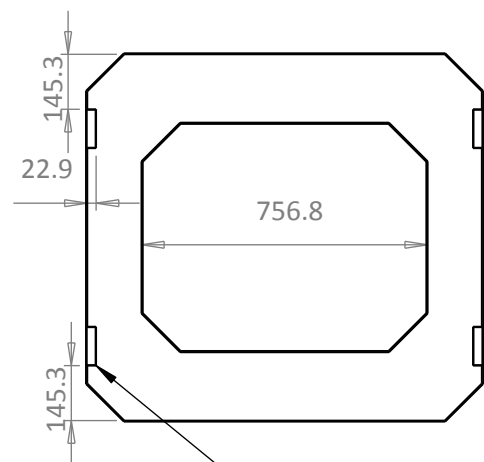
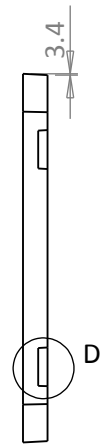
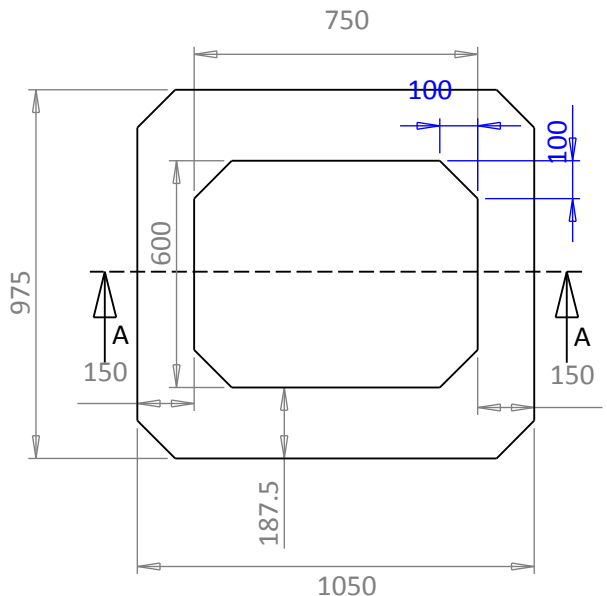
The information contained in this drawing is the sole property of Croom Concrete Ltd., any reproduction in part or whole without the written permission of Croom Concrete . is prohibited.

Sheet 1 of 8

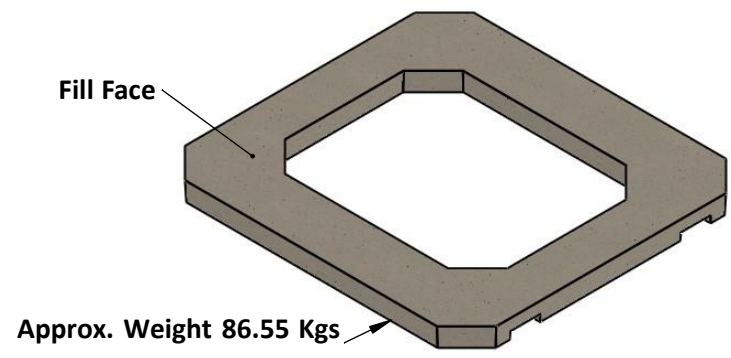
Do Not Scale

Croom Concrete Ltd
Off-Church Rd
Croom, Co.Limerick, Irl
www.croomconcrete.co.uk
sales@croomconcrete.co.uk

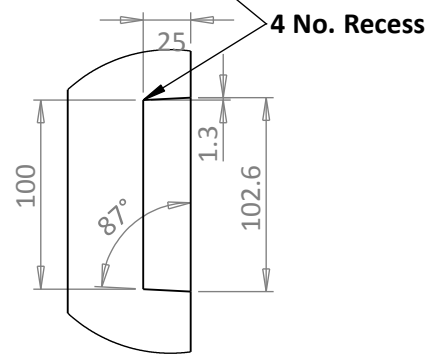
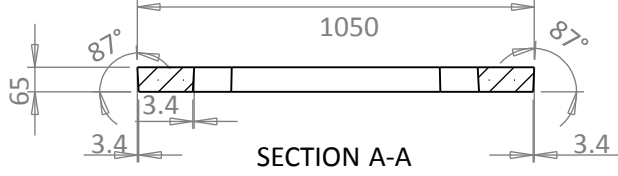




Inner Recess: 600mm x 750mm



Approx. 12 per Pallet



DETAIL D

Job NO - Description.
Croom - Eccentric Cover 600mm x 750mm Riser

Revision
A

Customer
Keyline

Projection


Unless otherwise specified
dimensions are in mm
& tolerances are:

Drawn By duane.higgins
Revised By duane.higgins

Date 31 October 2017
Date 31 October 2017

Material
Concrete

Finish

Sheet 2 of 8

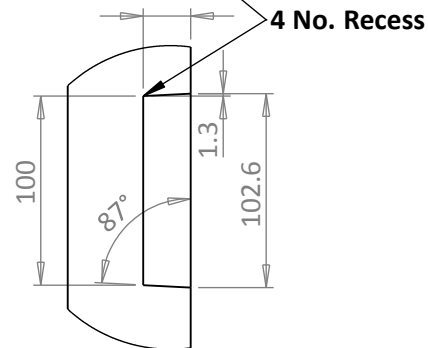
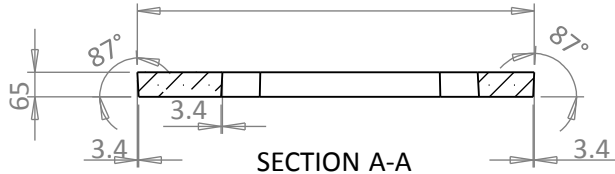
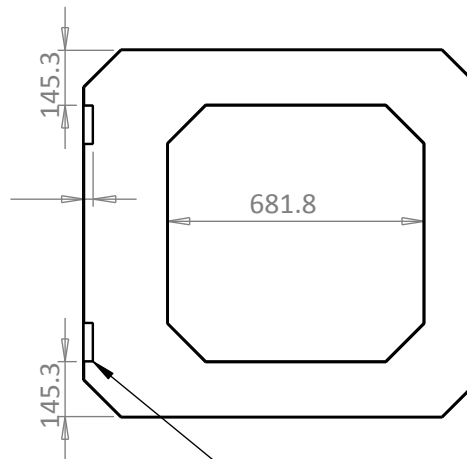
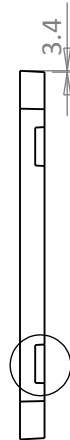
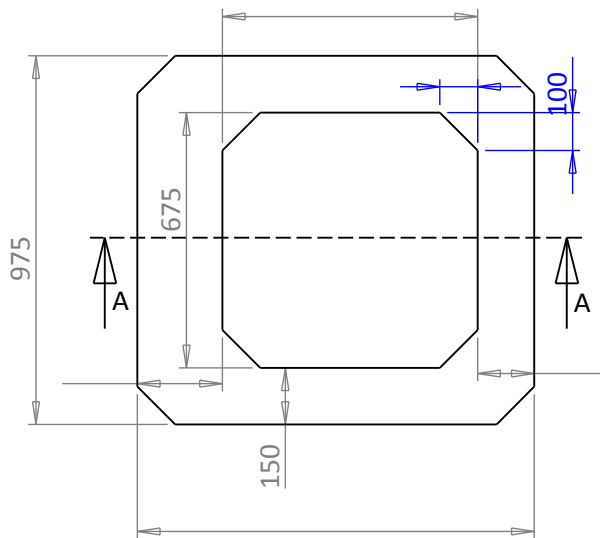
<1000 ±1.0
1000 - 2000 ±2.0
2000 - 3000 ±3.0
>3000 ±5.0

Croom Concrete Ltd
Off-Church Rd
Croom, Co.Limerick, Irl
www.croomconcrete.co.uk
sales@croomconcrete.co.uk



The information contained in this drawing is the sole property of Croom Concrete Ltd., any reproduction in part or whole without the written permission of Croom Concrete . is prohibited.

Do Not Scale



Inner Recess: 675mm x 675mm

Fill Face

Approx. Weight 100.55 Kgs

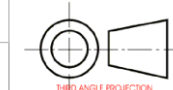
Approx. 10 per Pallet

Job NO - Description.
Croom - Eccentric Cover 675mm x 675mm Riser

Revision
A

Customer
Keyline

Projection



Unless otherwise specified
dimensions are in mm
& tolerances are:

<1000	±1.0
1000 - 2000	±2.0
2000 - 3000	±3.0
>3000	±5.0

Drawn By duane.higgins

Date 31 October 2017

Revised By duane.higgins

Date 31 October 2017

Material
Concrete

Finish

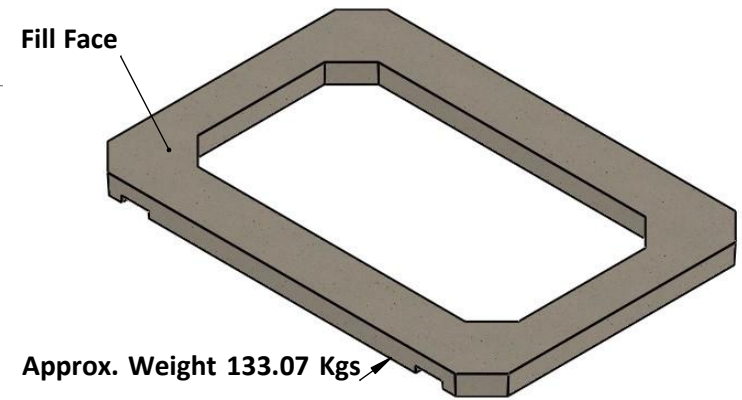
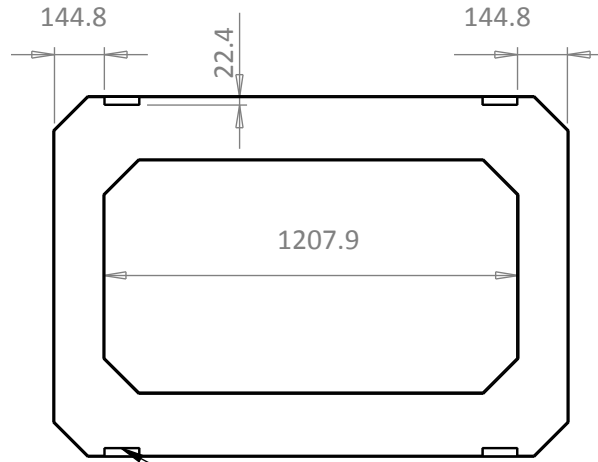
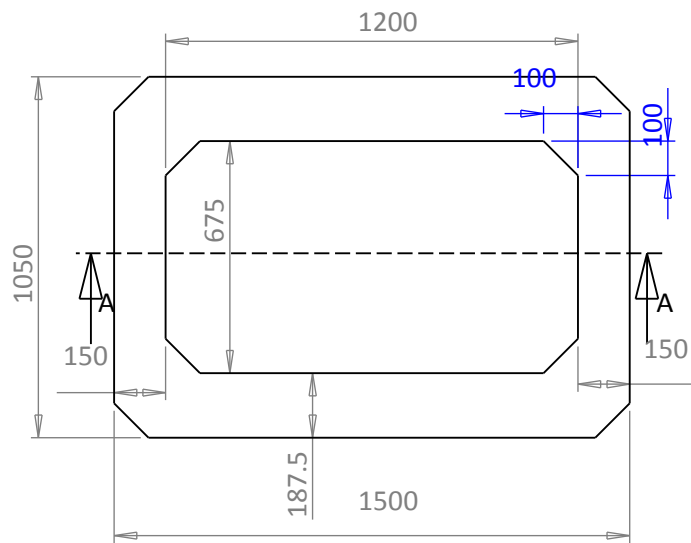
Croom Concrete Ltd
Off-Church Rd
Croom, Co.Limerick, Irl
www.croomconcrete.co.uk
sales@croomconcrete.co.uk



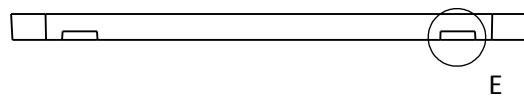
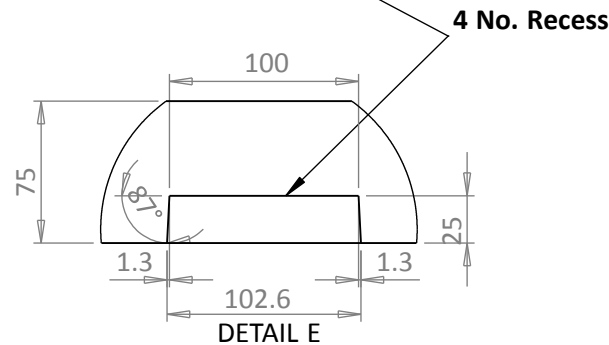
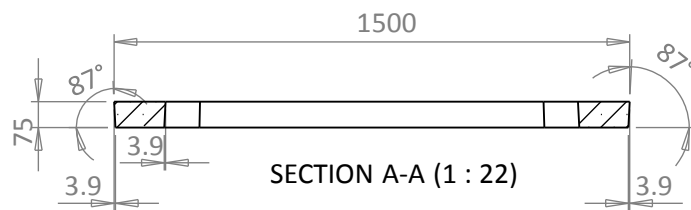
The information contained in this drawing is the sole property of Croom Concrete Ltd., any reproduction in part or whole without the written permission of Croom Concrete . is prohibited.

Sheet 3 of 8

Do Not Scale



Approx. 10 per Pallet

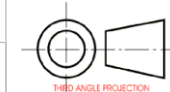


Job NO - Description.
Croom - Eccentric Cover 675mm x 1200mm Riser

Revision
A

Customer
Keyline

Projection



Unless otherwise specified
dimensions are in mm
& tolerances are:

<1000	±1.0
1000 - 2000	±2.0
2000 - 3000	±3.0
>3000	±5.0

Drawn By duane.higgins

Date 31 October 2017

Revised By duane.higgins

Date 31 October 2017

Material
Concrete

Finish

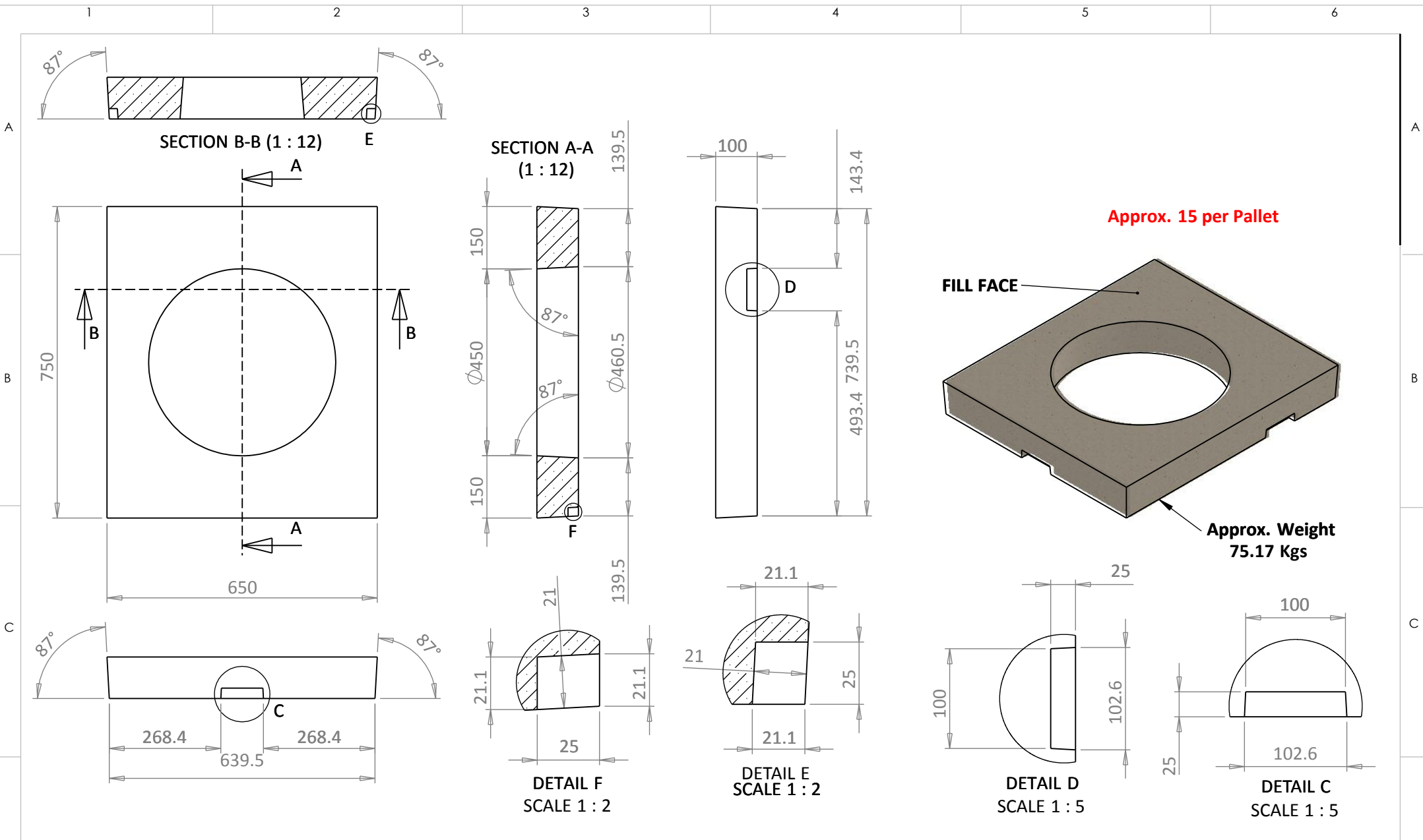
The information contained in this drawing is the sole property of Croom Concrete Ltd., any reproduction in part or whole without the written permission of Croom Concrete is prohibited.

Sheet 4 of 8

Do Not Scale

Croom Concrete Ltd
Off-Church Rd
Croom, Co.Limerick, Irl
www.croomconcrete.co.uk
sales@croomconcrete.co.uk





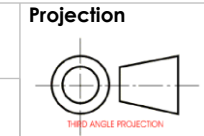
Job NO - Description:
Croom - Square Cover 650mm x 750mm Gully Riser

Material
Concrete

Revision
A

Customer
 Keyline

Finish



Unless otherwise specified
 dimensions are in mm
 & tolerances are:

<1000	±1.0
1000 - 2000	±2.0
2000 - 3000	±3.0
>3000	±5.0

Drawn By SYSTEM

Date 06 October 2017

Revised By SYSTEM

Date 06 October 2017

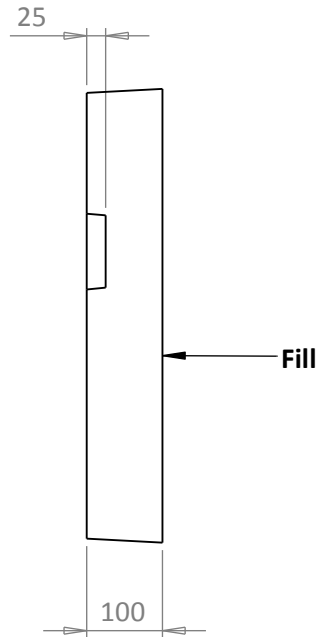
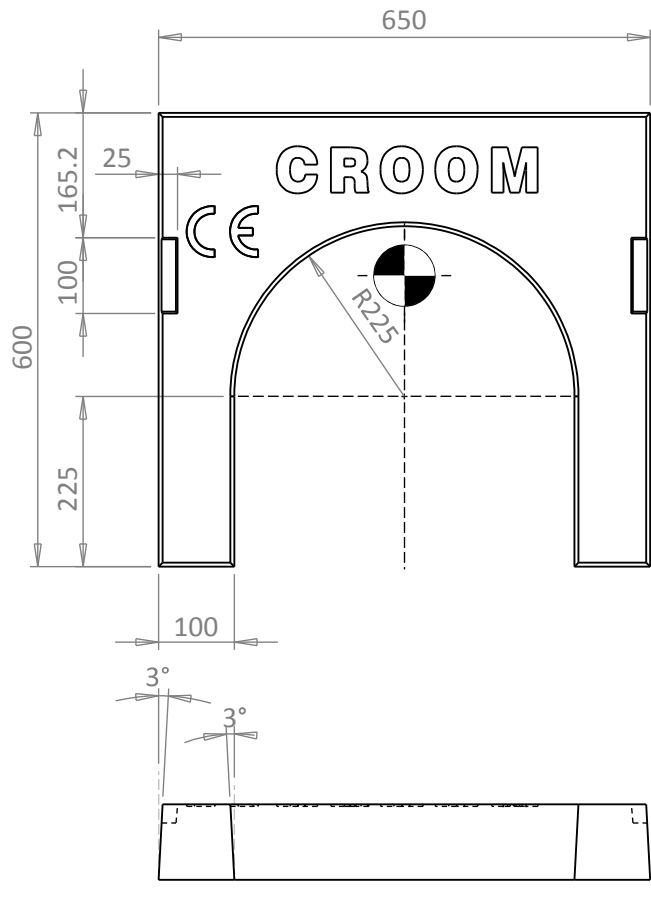
Croom Concrete Ltd
 Off-Church Rd
 Croom, Co.Limerick, Irl
www.croomconcrete.co.uk
sales@croomconcrete.co.uk



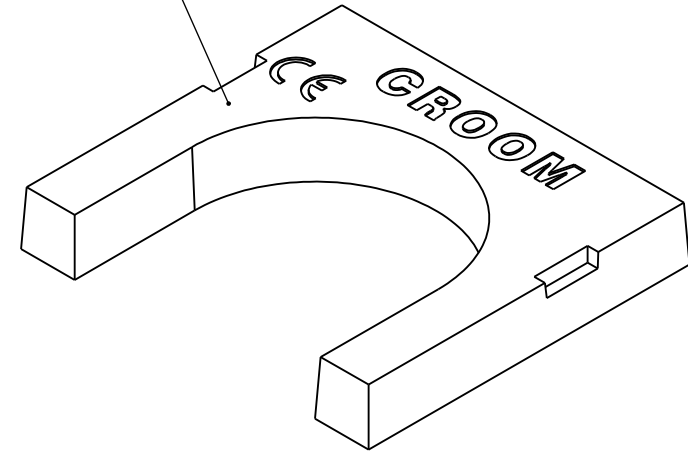
The information contained in this drawing is the sole property of Croom Concrete Ltd., any reproduction in part or whole without the written permission of Croom Concrete is prohibited.

Sheet 5 of 8

Do Not Scale



Approx 47.48kgs



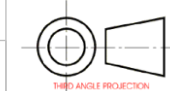
Approx. 20 per Pallet

Job NO - Description.
Croom - Horse Shoe 450mm x 100mm Gully Riser

Revision
A

Customer
 Keyline

Projection



Unless otherwise specified
 dimensions are in mm
 & tolerances are:

<1000	±1.0
1000 - 2000	±2.0
2000 - 3000	±3.0
>3000	±5.0

Drawn By daryl.fegan

Date 26 August 2015

Revised By daryl.fegan

Date 26 August 2015

Material
 Concrete

Finish

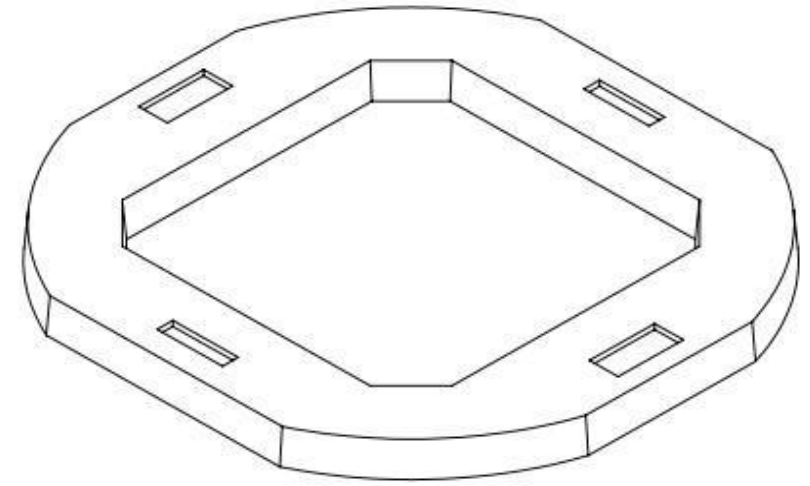
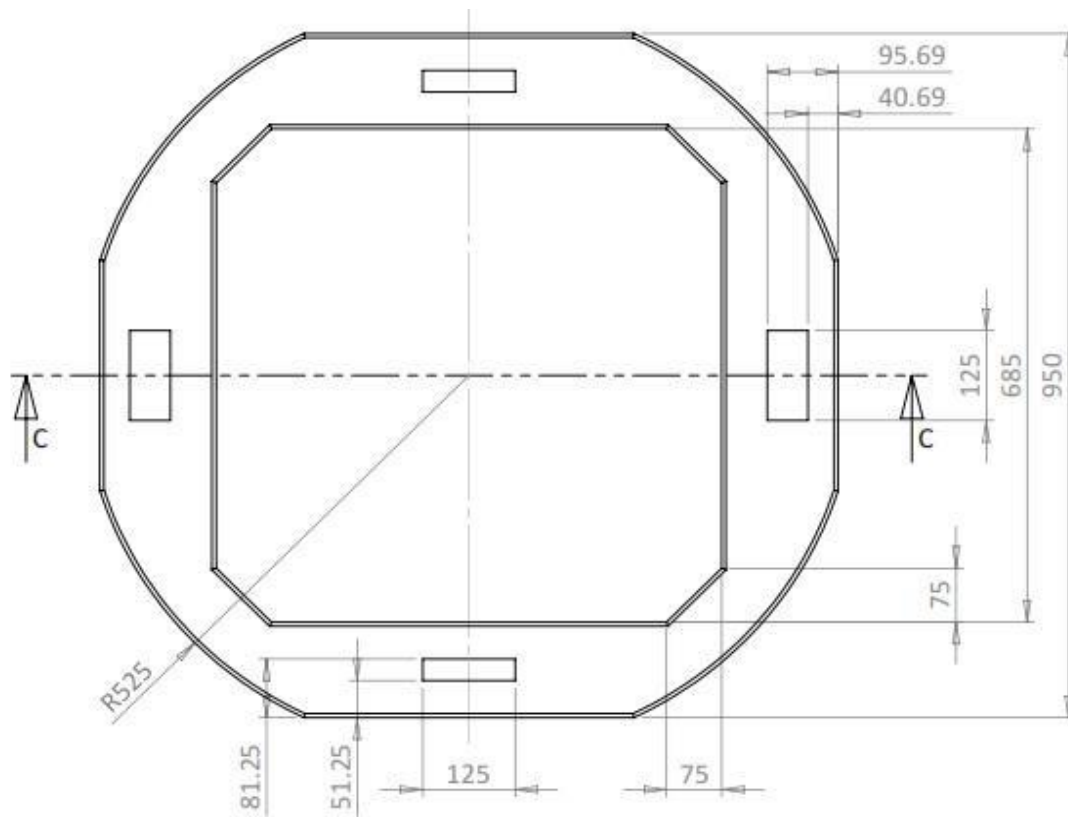
The information contained in this drawing is the sole property of Croom Concrete Ltd., any reproduction in part or whole without the written permission of Croom Concrete . is prohibited.

Sheet 6 of 8

Do Not Scale

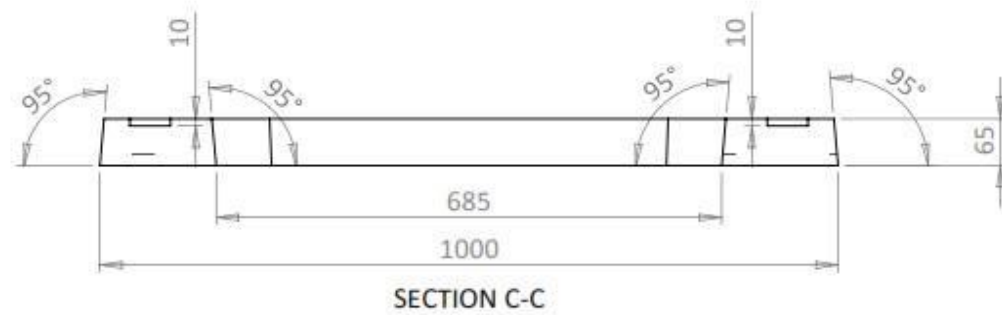
Croom Concrete Ltd
 Off-Church Rd
 Croom, Co.Limerick, Irl
www.croomconcrete.co.uk
sales@croomconcrete.co.uk





Approx. 15 per Pallet

Approx. Weight 60 Kgs



Customer Sign-Off	Note:
Name:	Mark Up Dimensions with KC if they are Key Dimensions.
Sign:	
Date:	If Key Dimensions are missing Mark up drawing with their location
Approved <input type="checkbox"/>	
Rejected <input type="checkbox"/>	
App pending Mark Up <input type="checkbox"/>	

Job NO - Description.
Croom-675mm x 675mm Riser Unit

Revision
A

Customer
Keyline

Projection

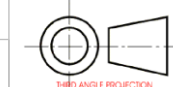
Unless otherwise specified
dimensions are in mm
& tolerances are:

Drawn By duane.higgins

Date 31 October 2017

Material
Concrete

Finish



<1000 ±1.0
1000 - 2000 ±2.0
2000 - 3000 ±3.0
>3000 ±5.0

Revised By duane.higgins

Date 31 October 2017

Croom Concrete Ltd
Off-Church Rd
Croom, Co.Limerick, Irl
www.croomconcrete.co.uk
sales@croomconcrete.co.uk



The information contained in this drawing is the sole property of Croom Concrete Ltd., any reproduction in part or whole without the written permission of Croom Concrete . is prohibited.

Sheet 7 of 8

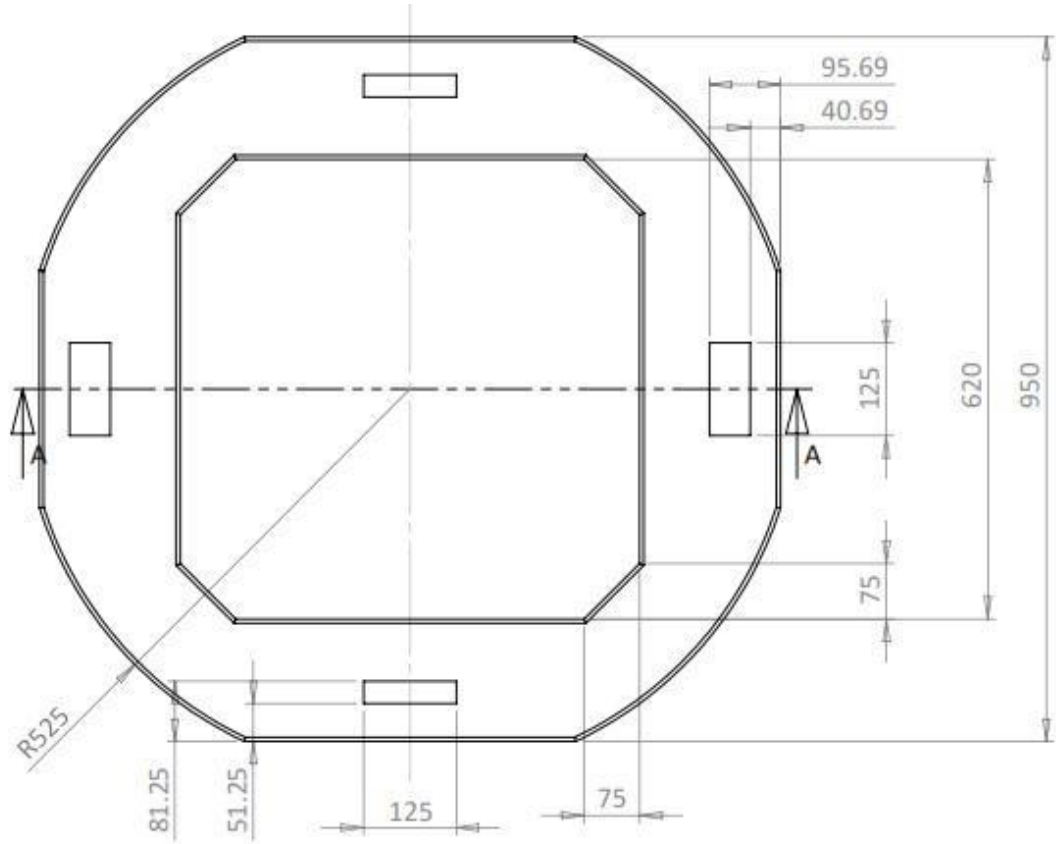
Do Not Scale

A

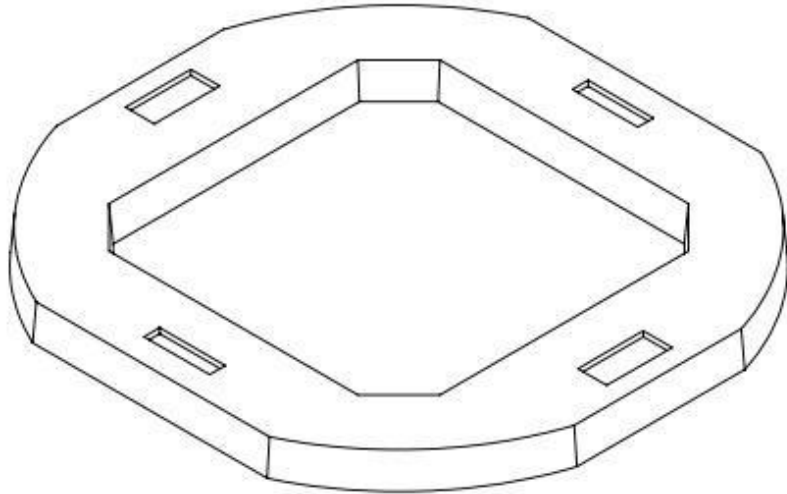
B

C

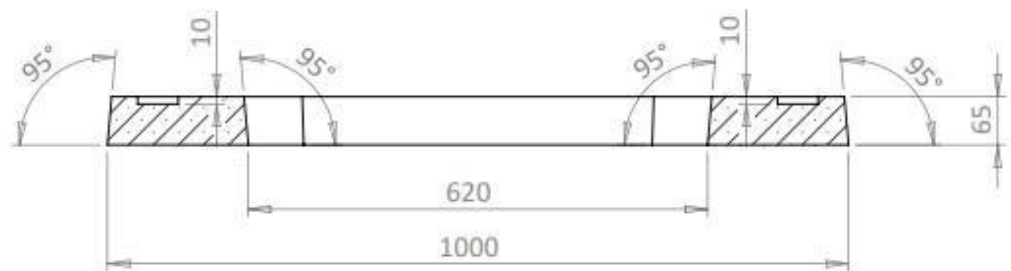
D



Approx. 15 per Pallet



Approx. Weight 70 Kgs



SECTION A-A

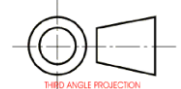
Customer Sign-Off	Note:
Name:	Mark Up Dimensions with KC if they are Key Dimensions.
Sign:	
Date:	If Key Dimensions are missing Mark up drawing with their location
Approved <input type="checkbox"/>	
Rejected <input type="checkbox"/>	
App pending Mark Up <input type="checkbox"/>	

Job NO - Description.
Croom-600mm x 600mm Riser Unit

Revision
A

Customer Keyline

Projection



Unless otherwise specified dimensions are in mm & tolerances are:

<1000	±1.0
1000 - 2000	±2.0
2000 - 3000	±3.0
>3000	±5.0

Drawn By duane.higgins

Date 31 October 2017

Revised By duane.higgins

Date 31 October 2017

Material
Concrete

Finish

The information contained in this drawing is the sole property of Croom Concrete Ltd., any reproduction in part or whole without the written permission of Croom Concrete . is prohibited.

Sheet 8 of 8

Do Not Scale

Croom Concrete Ltd
Off-Church Rd
Croom, Co.Limerick, Irl
www.croomconcrete.co.uk
sales@croomconcrete.co.uk

