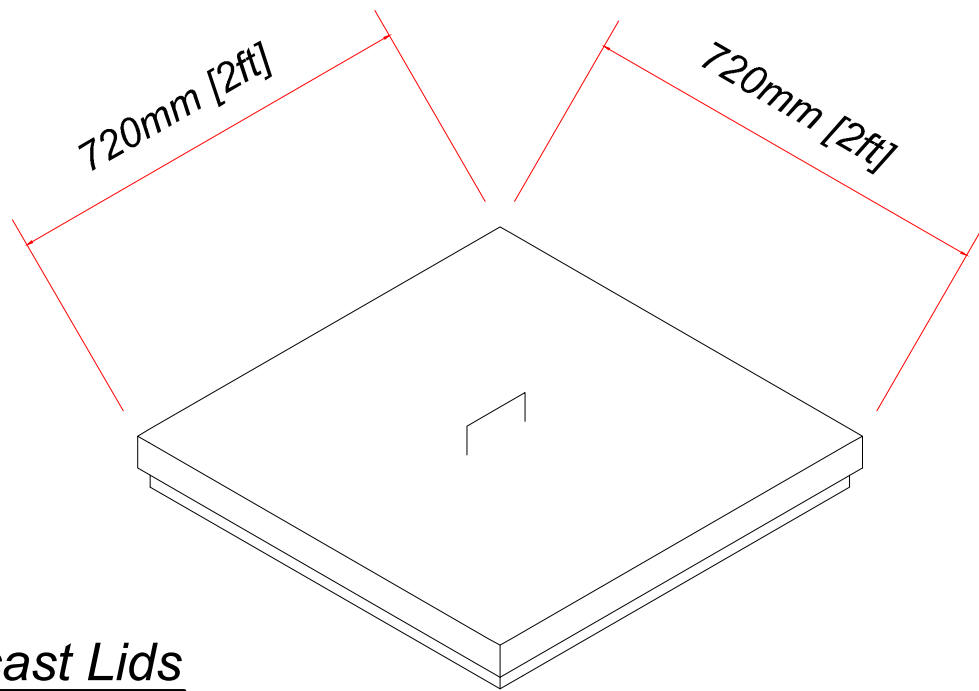
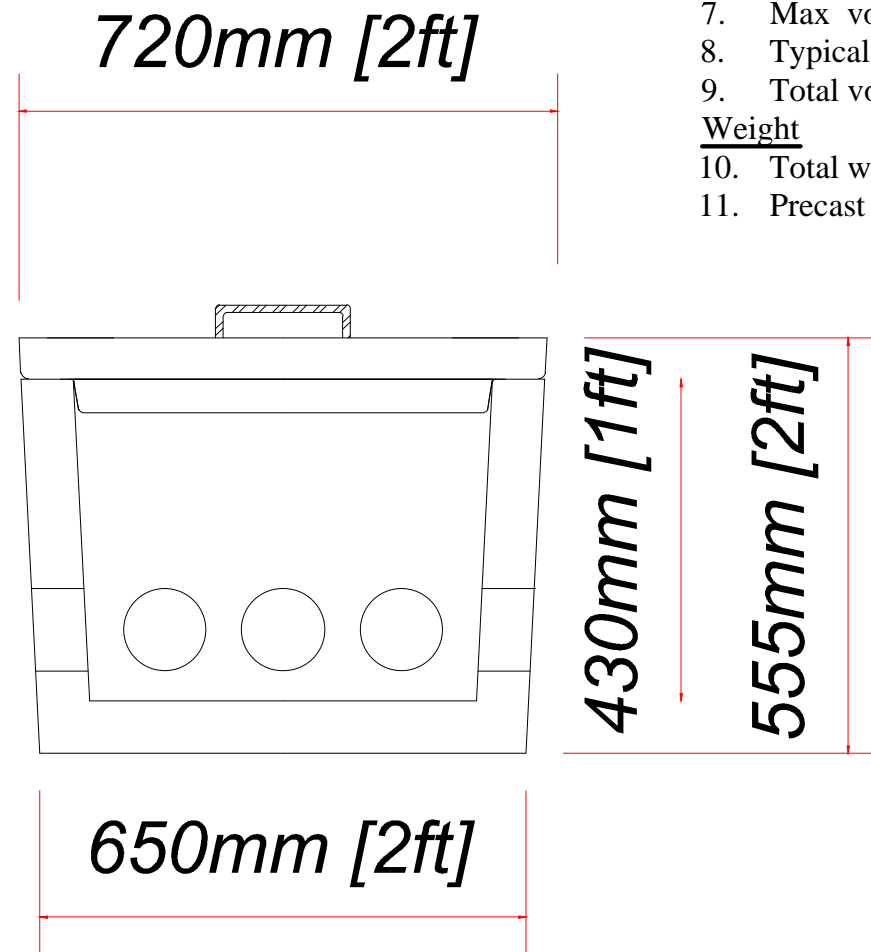


3D view of Distribution Box



Precast Lids



Cross section septic tank
Scale 1:10

Note
PRECAST MANHOLE SECTION

1. Do not scale.
2. Lifting point are provide by lifting hooks or lifting from bottom of septic tank
3. *The distribution box should be inspected at intervals of no greater than every six months*
4. Concrete grade to be C45 U.N.O

Dimension

5. Max dimension external (LxBxH)
720x720x555mm
6. Opening dimension 560x560mm
Inlet Pipe Position 20-30mm from top bottom of box

Outlet Volume

7. Max volume 123 liters (27 gal)
8. Typical holding volume 115 liters (25 gal)
9. Total volume of Box 0.25m³

Weight

10. Total weight of tank approx 240 kg without lids
11. Precast lid element weight approx 80kg

Issue 2	Revised for Audit	
Issue 1	Construction	12-Sept-2013
Client	N/B	Scale Checked N/B
Drawing Title	Details	Dwg No. 1089/S/Tank Drawn CMcE
Project Description	Drawing & issue notes to be read in conjunction with issue sheet.	
Septic tank Distribution box	©This Drawing is Copyright	



Croom Concrete Ltd

Precast Concrete Products

Off Church Road,
Croom,
Co Limerick,

Tel: 061 397479
Fax: 061 600719
e-mail:
sales@croomconcrete.ie