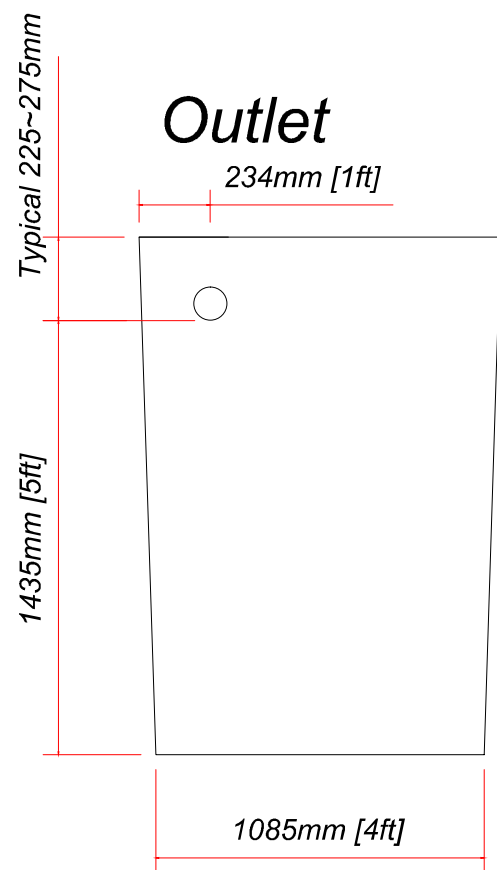
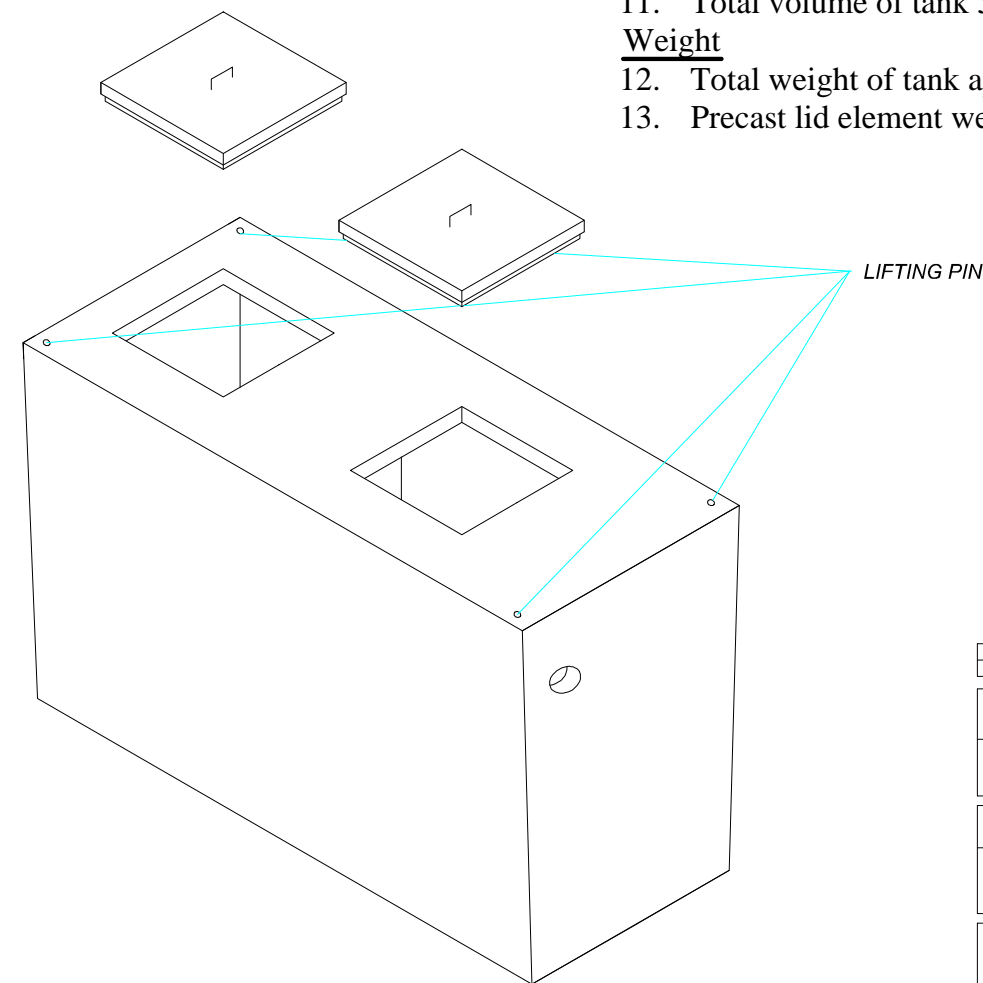
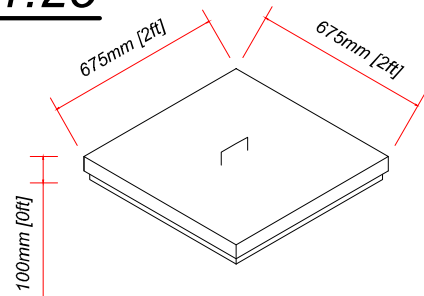


**Cross section septic tank**  
**Scale 1:25**



**End view of septic Tank**  
**Scale 1:25**



**3D view**

**NOTE**

1. Do not scale.
2. Lifting point are provide by lifting hooks or lifting from bottom of septic tank.
3. *Regular inspections (approximately every 6 months) and sludge pumping (every 2 years) are recommended.*

4. Concrete grade to be C45 U.N.O

**Dimension**

5. Max dimension external (LxBxH)  
2745x1195x1710mm
6. Opening dimension 580x580mm
7. Inlet Pipe Position 178-200mm from top of septic tank
8. Outlet Pipe Position 220-280mm from top of septic tank

**Volume**

9. Max volume 4000 liters (880 Gal)
10. Typical holding volume 3550 liters (780 gal)
11. Total volume of tank 5.22m<sup>3</sup>

**Weight**

12. Total weight of tank approx 3400 kg with lids
13. Precast lid element weight approx 42kg

Issue 2	Revised for Audit	
Issue 1	Construction	12-Sept-2013

Client	N/B	Scale Checked N/B
Drawing Title	Details	Dwg No. 1088/S/Tank Drawn CMcE

Project Description	Drawing & issue notes to be read in conjunction with issue sheet. © This Drawing is Copyright
Septic Tank	



**Croom Concrete Ltd**  
Precast Concrete Products  
Off Church Road,  
Croom,  
Co Limerick,  
Tel: 061 397479  
Fax: 061 600719  
e-mail:  
sales@croomconcrete.ie