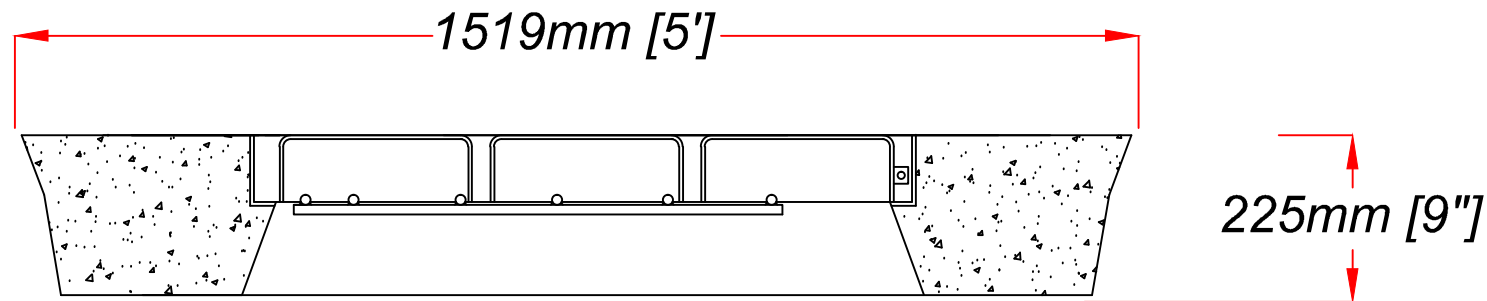


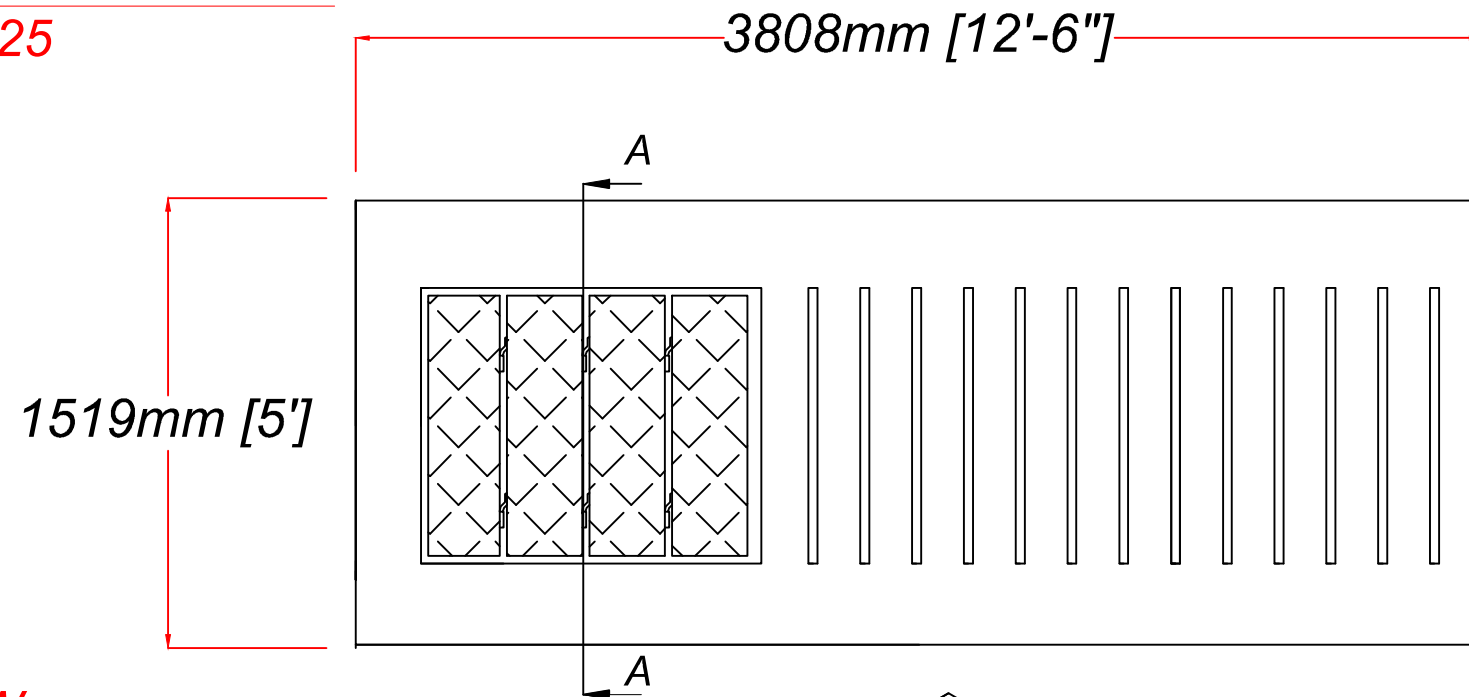
# CROSS SECTION A-A

Scale 1:10



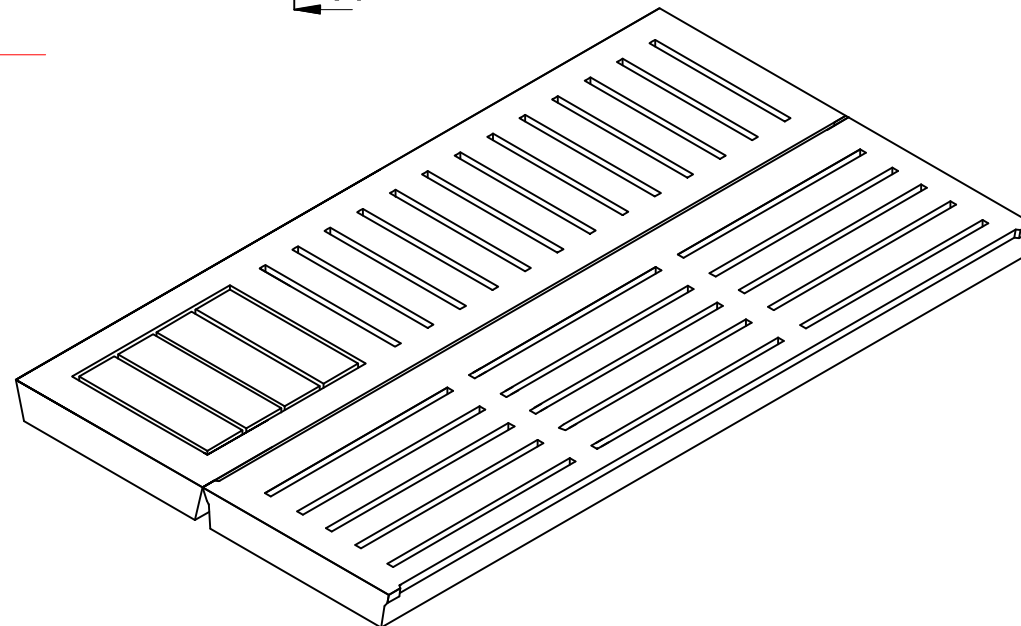
# PLAN VIEW

Scale 1:25



# 3D VIEW

Scale 1:40



Job Title: 12ft6 manhole slat

Drawing No: 1015/MS/12-6

### NOTE

1. Do not scale, use figured dimensions only.
2. All dimensions in metric and imperial units.
3. Slat are design accordance floor slats for livestock I.S EN 12737:2004+A1:2007.
4. Minimum contact length of slat on wall 100mm.
5. Designed in accordance to BS8110 and EC2 1992 ( Eurocode 2).
6. Minimum slat bearing over wall 150mm.
7. Concrete grade to be 50 N/mm<sup>2</sup> U.N.O.
8. Minimum 40 mm cover to all steal.
9. All steel to be S275 J0 to BS EN 10025.
10. All setting Out & Dimensions to be checked on site.
11. Installation and maintained should follow best practice.

### SUMMARY

Name: 12"6 foot slat

Slat type: Manhole slat unit

Dimension; 3808X1519X295mm

Issue 2	Revised for Audit	
Issue 1	Construction	18-Aug-2013
Client	N/B	Scale Checked N/B
Drawing Title	Details	Dwg No. 1015/MS/12-6 Drawn CM&E
Project Description	Drawing & issue notes to be read in conjunction with issue sheet. © This Drawing is Copyright	
12.6 manhole Slat		



### Croom Concrete Ltd

Precast Concrete Products  
Off Church Road,  
Croom,  
Co Limerick,

Tel: 061 397479  
Fax: 061 600719  
e-mail:  
sales@croomconcrete.ie