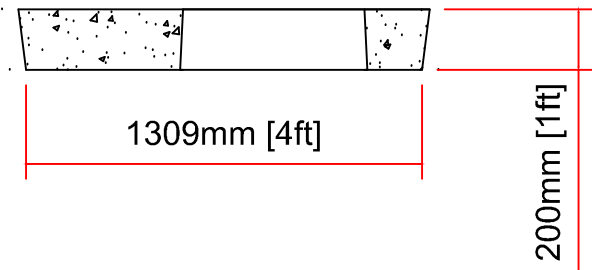
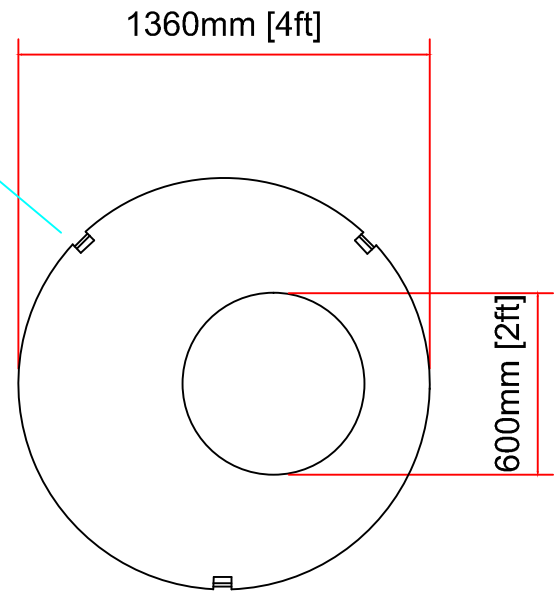


PLAN VIEW

3 LIFTING BAR ON SIDE OF BASE



NOTE

1. Do not scale, use figured dimensions only.
2. All dimensions in metric and imperial units.
3. Concrete grade to be C40 U.N.O
4. All setting Out & Dimensions to be checked on site.
5. Installation and maintained should follow best practice.

SUMMARY

Name: Biscuit
 Type: 4 Ft pipe cover
 Dimension 1360X200 mm
 Estimate weight 290kg

Issue 2	Revised for Audit	
Issue 1	Construction	08-Aug-2013

Client	Scale ----	Scale Checked N/B
Drawing Title	Details	Dwg No. 1074/BC/01 Drawn CMcE.

Project Description	Drawing & issue notes to be read in conjunction with issue sheet. © This Drawing is Copyright
Biscuit	



Croom Concrete Ltd
 Precast Concrete Products
 Off Church Road,
 Croom,
 Co Limerick,
 Tel: 061 397479
 Fax: 061 600719
 e-mail:
 sales@croomconcrete.ie