

A

B

C

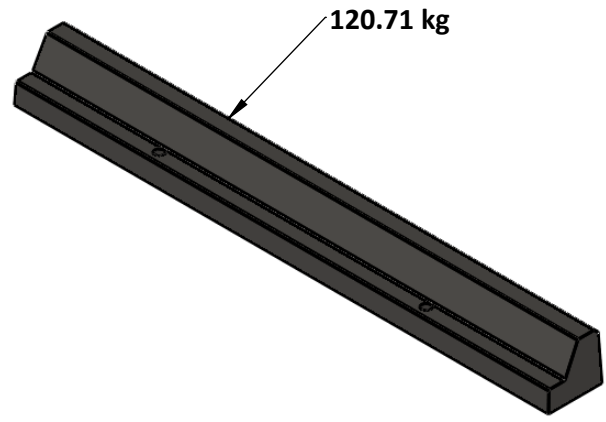
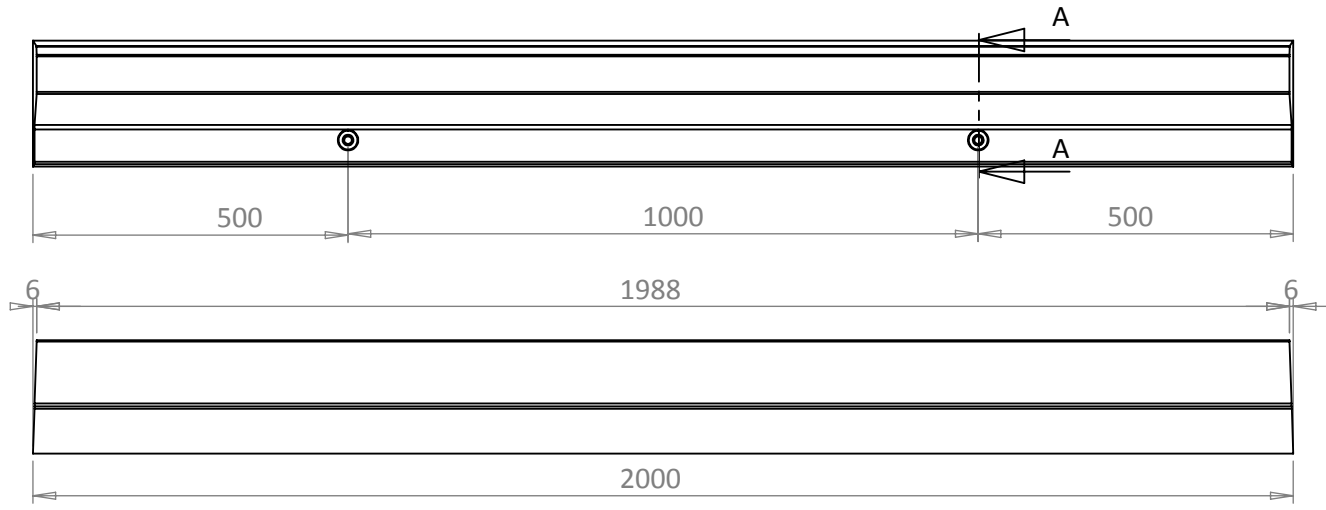
D

A

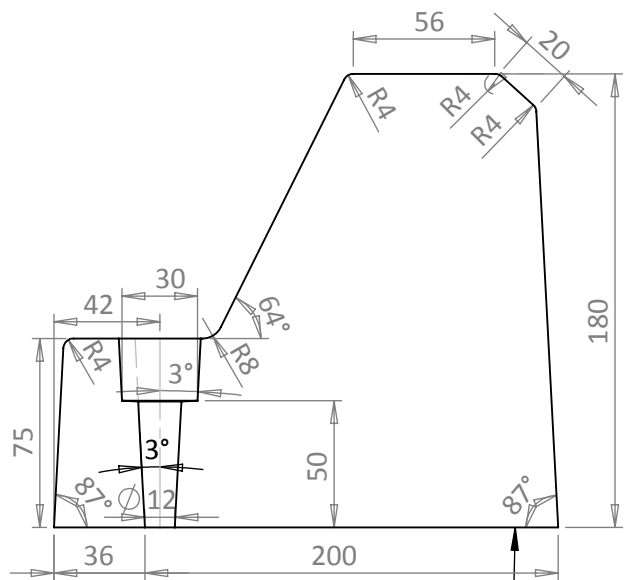
B

C

D



120.71 kg



SECTION A-A (1 : 3)

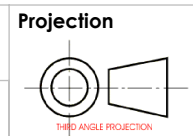
FILL FACE

Customer Sign-Off		Note: Mark Up Dimensions with KC if they are Key Dimensions. If Key Dimensions are missing Mark up drawing with their location
Name:		
Sign:		
Date:		
Approved	<input type="checkbox"/>	
Rejected	<input type="checkbox"/>	
App pending Mark Up	<input type="checkbox"/>	

Job NO - Description.
26934 - Type B - L Shaped

Revision
X-01

Customer
Croom



Unless otherwise specified
dimensions are in mm
& tolerances are:

<1000	±1.0
1000 - 2000	±2.0
2000 - 3000	±3.0
>3000	±5.0

Drawn By kme.design

Date 18 September 2015

Revised By kme.design

Date 22 September 2015

Material
Concrete

Finish

The information contained in this drawing is the sole property of KME Ltd., any reproduction in part or whole without the written permission of KME Ltd. is prohibited.

Sheet 1 of 1

Do Not Scale

KME STEELWORKS
19 Ferguson Drive
Knockmore Hill Industrial Park
Ballinderry Road, Lisburn
Co. Antrim, BT28 2EX
Tel: +44 (0)28 9264 0125
Fax: +44 (0)28 9266 5960

